

MANUAL

Salente

MODEL

VERSION / DATE

G4

III. / 15. 08. 2023



Table of contents

Welcome to use	4
Product Introduction	4
Key Function	4
Parts List	5
Robot	6
Charging Base	6
Installation	7
Instructions	12
ON/OFF	12
Sweep/Pause	12
Charging	12
Cleaning mode	13
Fixed-point cleaning	13
WiFi reset	14
Silent mode	14
Adjustment of suction power	14
Adjustment of water flow	14
UVC mode	14
Remote control instruction	15
Daily Maintenance	16
Rolling brush (clean it regularly)	16
Side brush (clean it regularly)	17
Dust box and filter screen (clean it regularly)	18
Filter screen cleaning (clean it regularly)	19
2in1 electric control water tank (clean it regularly)	20
Sensor (clean it regularly)	21
Sensor (clean monthly)	22
Battery	22
Firmware upgrade	22
WiFi Connection Guide	23
Common Problems	27
Troubleshooting	28
Safety Information	29
Usage Limitations	29
Battery and Charging	30
Basic Parameters	31

Welcome to use

Thanks for choosing Smart Robot Vacuum Cleaner Salente G4!

It is a programming robot vacuum working base on gyroscope sensor. Working together through navigation algorithms, it is able to program the cleaning path, clean and recharge automatically without manual intervention.

It has:

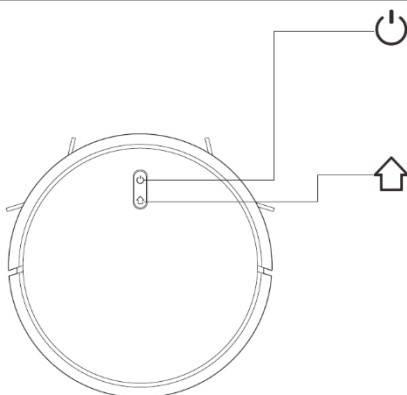
- UVC sterilization mode
- Adjustment to the floor surface
- Electronically controlled water tank 2-in-1
- Vacuuming and wet wiping simultaneously
- Central Turbo brush and pair of side brushes


You can download the mobile APP by smart phone to check the cleaning map and running status of the robot in APP in real time, define the cleaning area and schedule. You can control the robot remotely. Science and technology make life better.


May you have a nice usage experience!

Product Introduction

Key Function



-  Sweep/ON &OFF
- Short press to start Sweep/Pause
 - Long press for 3s for ON/OFF

-  Sweep/ON &OFF
- Short press Recharge/Pause
 - Long press to start local cleaning

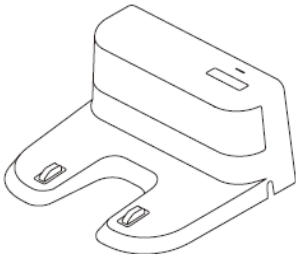
Indicator light

- Blue: Normal operation or charging
- Red: Abnormal condition or low battery
- Purple: Equipment is not connected to the network

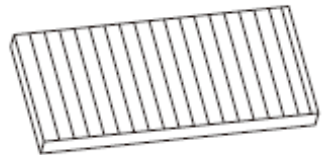
Reset WiFi

- Press two buttons simultaneously for 3s

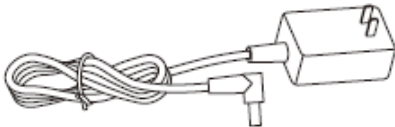
Parts List



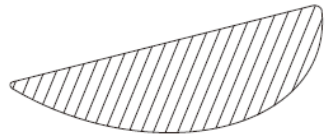
Charging base



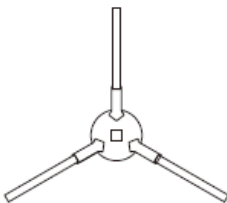
HEPA filter + sponge filter



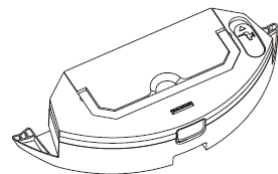
Adapter



Duster cloth 2x



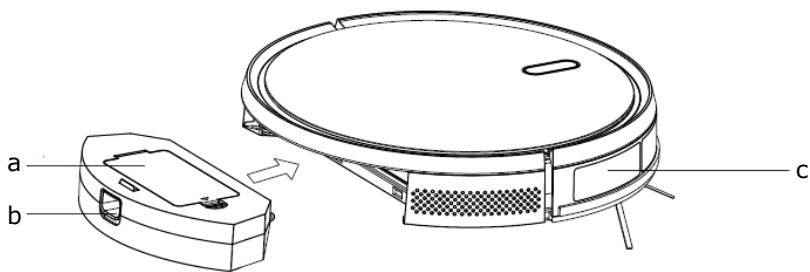
2x Lift side brush
2x Right side brush



Electric-controlled
water tank

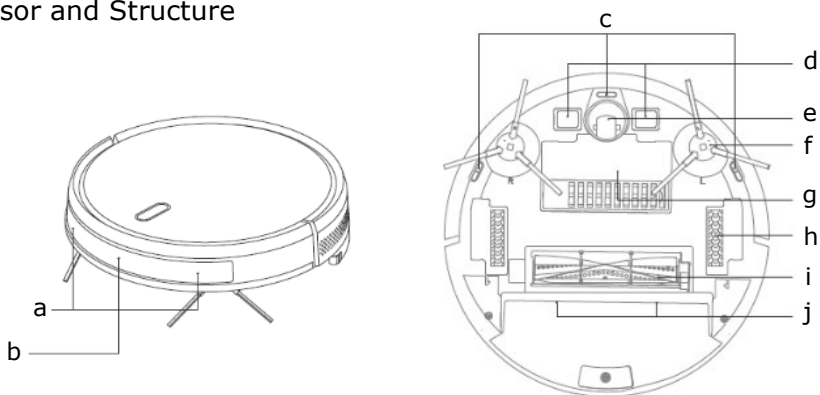


Remote controller



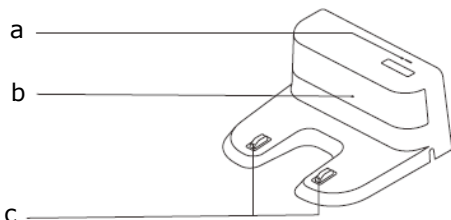
a- Filter screen cover, **b-** Dust bin button, **c-** Wall sensor

Sensor and Structure

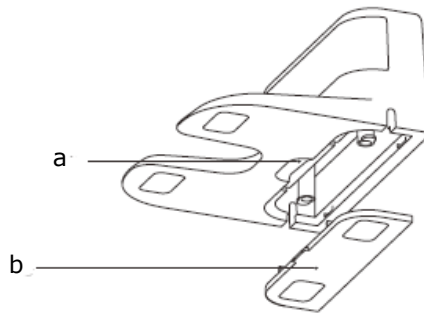


a- Anti-collision sensor, **b-** Infrared recharging sensor, **c-** Anti-drop sensor, **d-** Charging contact, **e-** Universal wheel, **f-** Side brush, **g-** UVC lamp, **h-** Driving wheel, **i-** Rolling brush, **j-** Rolling brush cover buckle

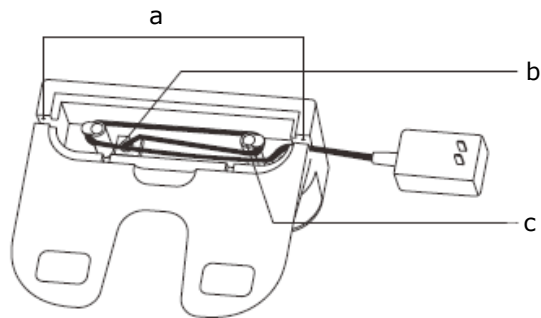
Charging Base



a- Power indicator light, **b-** Signal emission area, **c-** Charging base pins



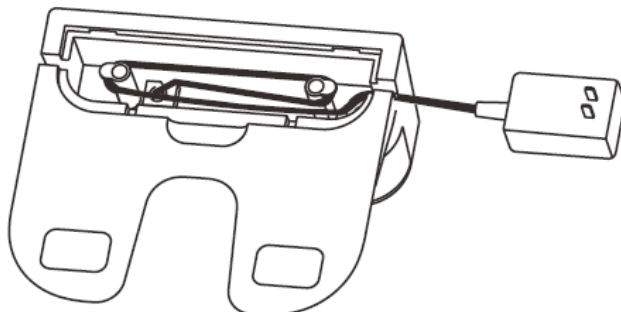
a- Catching groove, **b-** Cover plate



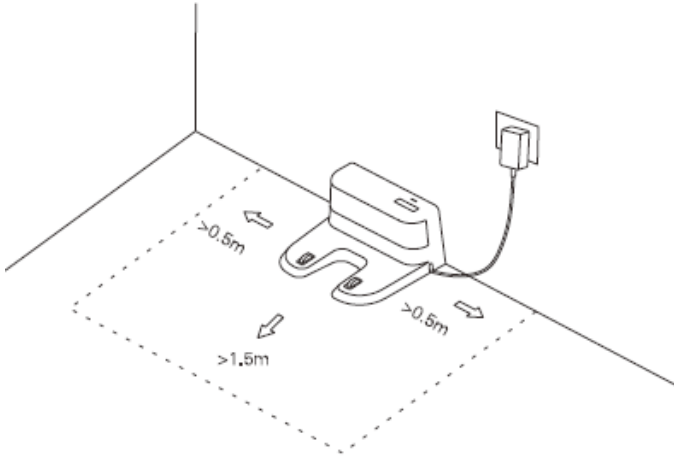
a- Wire slot, **b-** Power adapter port, **c-** Wrapping post

Installation

1. Connect power line and feed the excess wire into the slot



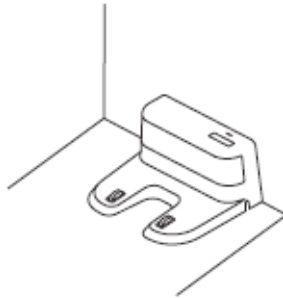
2. Place charging base against the wall and connect the power



Note:

- Ensure a space of above 0.5m on both sides of the charging base and a space of above 1.5m in the front
- If the power line is vertical to the ground, it may be dragged by the host and consequently the charging base may be powered off
- The charging indicator is normally on when powered on, and off when charged

3. Please do not move the charging base arbitrarily and keep it out of direct sunlight

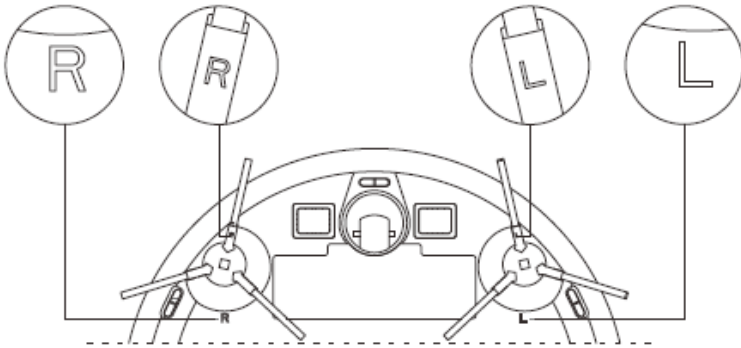


Note:


- Direct sunlight will interfere with recharging signal and consequently the host may be unable to return to the charging base

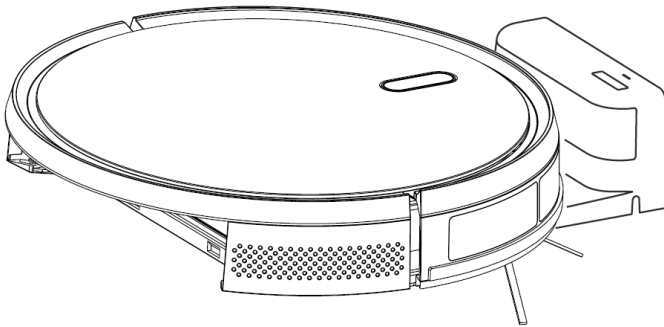
4. Installation of side brush

Make the left side brush (L) and the right side brush (R) correspond to L and R on the bottom casing, press L and R and the side brushes are installed till you hear a "cracking" sound.



5. Starting up and charging

Long press  to switch on the robot. Charge the robot on charging base when the power indicator light is normally on



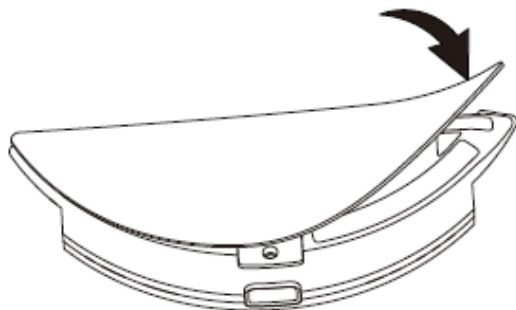
Note: If the machine cannot be started due to low battery, please charge the host on the charging base and the machine will be started automatically. The machine can work normally only when the battery level is 20%

6. Connect mobile APP (this step can be skipped)

Please refer to WiFi connection guideline, then connect mobile APP

7. Installation of mopping module

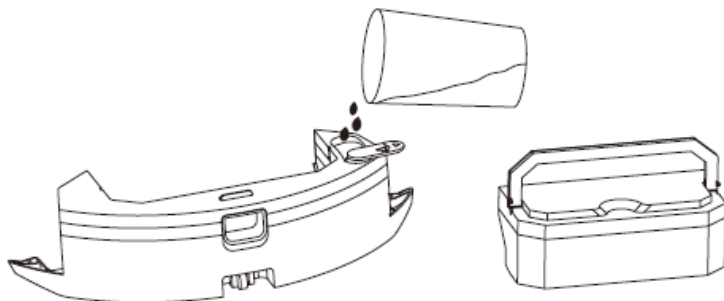
Installation of mopping cloth: paste the mopping cloth flatly to the bottom of water tank



2 in 1 Electric-controlled water tank

Note: please clean the mopping cloth after using to keep it in good cleaning condition

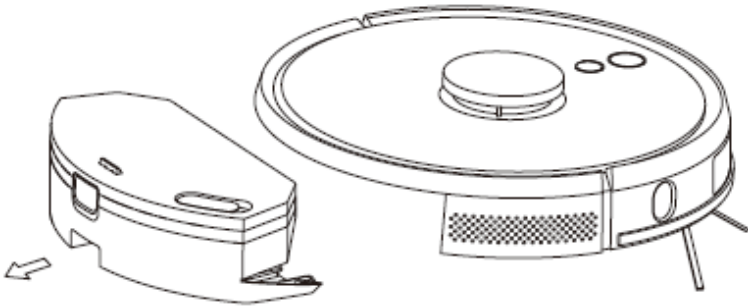
Fill the water tank: uncap the cover and fill with water



2 in 1 Electric controlled water tank

8. Remove the mopping module

When the robot is finished working, press the button in the middle of the water tank to remove the mopping module backwards, empty the water in the water tank and clean the mopping cloth (do not move or turn the robot over during cleaning)



2 in 1 Electric-controlled water tank

9. Instructions for mopping module


For sake of safety, please be sure to remove the mopping module when it is being charged or left unused. Please do not mop the carpet.


To add water or clean the dust cloth when the machine works, please pause it, and take it out and reassemble the mopping module according to steps 8 and 9. Please do not move or turn over the host so as to avoid failing in positioning and losing the map

Mopping function of the machine is intended for wiping and is conducive to deep cleaning. It cannot remove stubborn stains effectively and replace labour force

Instructions


ON/OFF

Long press  key for 3s, the indicator light is on and the machine is started

Long press  key for 3s when the machine is under standby mode, the indicator light is off and the machine shuts down

Note: The machine cannot shut down when the host is being charged

Sweep/Pause

After the machine is started, short press  key on the host or start the machine using mobile APP


(Press any key to pause in use)

Note:

- **The cleaning robot cannot be used to remove liquids**
- If the battery level is less than 20%, the machine cannot work. Please charge it
- The machine will return to the charging base automatically if the battery level is less than 20%
- Please clear various wires (including power line of charging base) on the ground before use so as to avoid outage and damage of objects or wires when wires are dragged by the robot

Charging

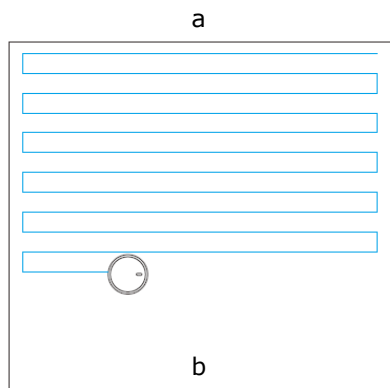
Automatic mode: The host will return to the charging base automatically after work

Manual mode: Under suspended state, short press  key to start recharging or when the recharging host is charged under the control of mobile APP, The indicator light is under breathing mode when the recharging host is charged

Note: If the host fails to locate the charging base, it will return to the original position automatically. Please put the host back to the charging base manually


Cleaning mode

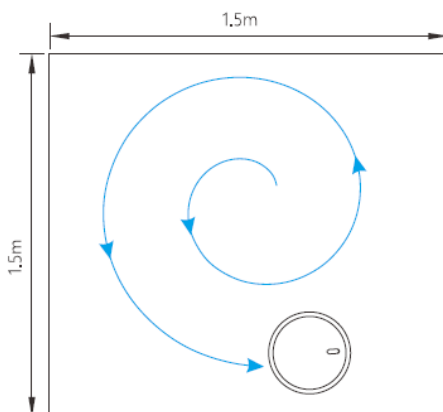
After starting, the machine will follow bow shaped cleaning program to fill up the floor and finish the cleaning of all rooms one by one in an orderly, efficient and fully covered manner. The machine will return back to the recharging base and charge automatically after cleaning finished





a- Completed area, **b-** Area to be cleaned

Fixed-point cleaning

Long press  for 3 seconds, the robot will locate itself, clean the circle area with diameter 1.5m, and the robot will return to the starting location and stop working automatically after cleaning finished



WiFi reset

If the mobile phone cannot be connected to the machine due to modification of router configuration and password or for other reasons, please press  key and  key simultaneously for 3s till a voice prompt "WiFi has been reset" is given and the indicator light turns purple and flickers slowly



Silent mode

You can turn on/off the robot voice by mobile APP or key "e" on the remote controller.

Adjustment of suction power

You can adjust the suction power to silent level, standard level and high level by mobile APP

Adjustment of water flow

You can adjust the water flow to low level, standard level and high level by mobile level

UVC mode

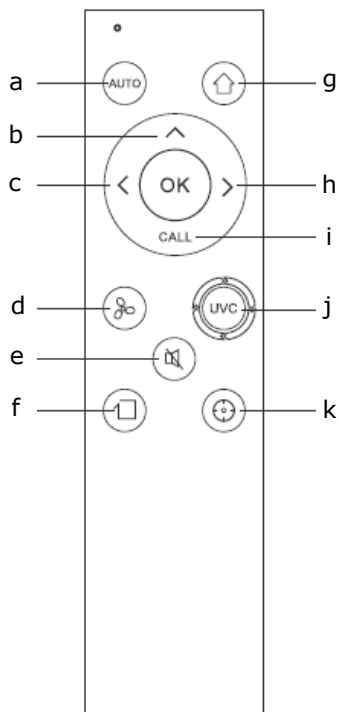
To turn on the UVC mode, press the "j" button on the remote controller or in the application.

Press UVC OFF, UV light is off.

Press UVC ON, UV light is on, robot can work in every normal mode.

Whatever state/mode the machine is in, the UV lamp can be turned on only when the machine is running. When the machine is stopped, the UV light will be turned off.

When you pick up the robot, the UVC light will be shut off immediately to protect you.

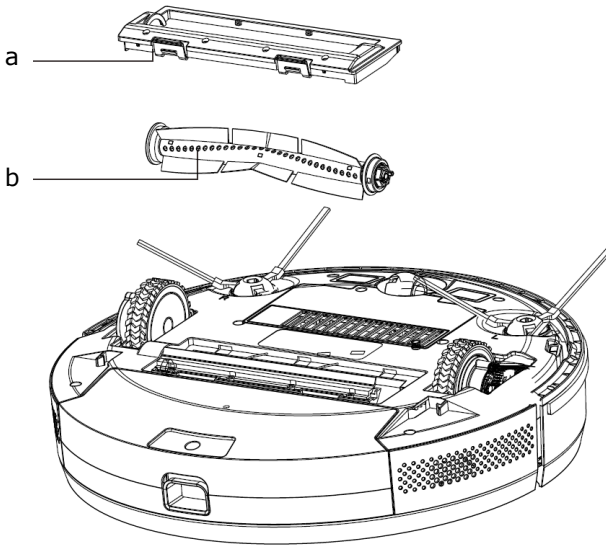


a- Auto cleaning start/pause, **b-** Go forward, **c-** Turn left, **d-** Adjustment of suction power, **e-** Silent mode on/off, **f-** Edge cleaning, **g-** Recharging start/pause, **h-** Turn right, **i-** Find robot, **j-** UVC, **k-** Spiral cleaning start/pause

Daily Maintenance

Rolling brush (clean it regularly)

1. Turn over the machine and press the buckle on the Rolling brush cover to take out the Rolling brush
2. Remove dust outside and inside the Rolling brush using a tiny brush and clean the Rolling brush
3. Reassemble the Rolling brush and press the Rolling brush cover tightly to fix the buckle

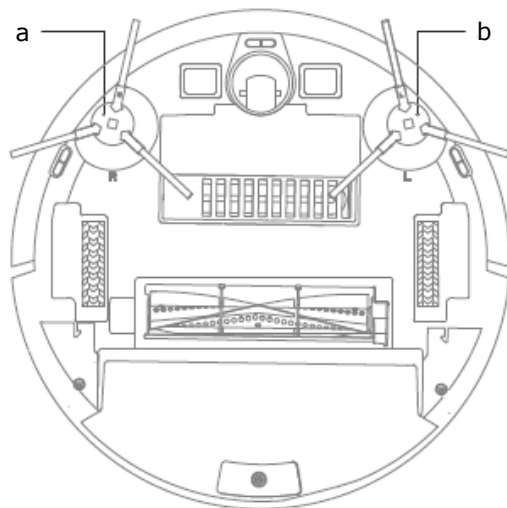


a- Buckle, **b-** Main brush

Side brush (clean it regularly)

1. Turn over the machine and pull out the side brush upwards
2. Remove hair and dirt and reassemble the side brush
3. Make the left side brush (L) and the right side brush (R) correspond to L and R on the bottom casing, press L and R to reinstall them

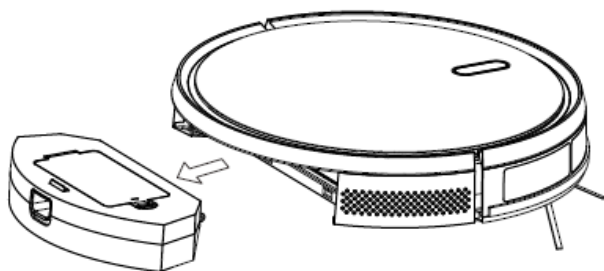
Note: Replace the side brush every 3-6 months so as to ensure the cleaning effect



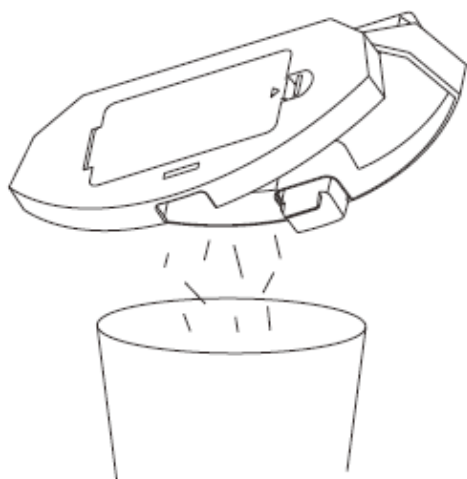
a- R (right side brush), **b-** L (left side brush)

Dust box and filter screen (clean it regularly)

1. Press the button and pull out the dustbin backward

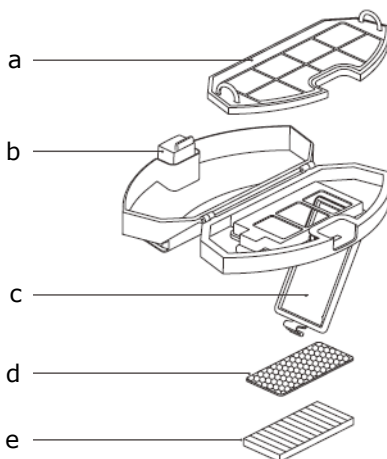


2. Open and clean dustbin



Filter screen cleaning (clean it regularly)

1. After a long-time usage, remove the filter gauze, sponge and HEPA
2. Clean the removed filter gauze, sponge and HEPA under water
3. Shake off the water drops and dry it naturally, then use it after completely dried
4. After dry, install it well in sequence, filter gauze – sponge – HEPA



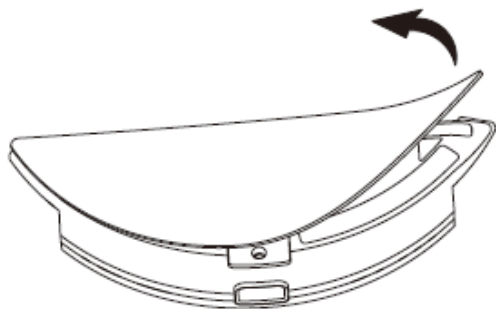
a- Filter gauze, **b-** Button, **c-** Filter cover, **d-** Sponge, **e-** HEPA

Note:

- **Please wash the filter screen using clear water and do not add any detergent**
- **Please do not clean the filter screen using brush and fingers**
- **Dry the filter screen in the air for at least 24h**
- Replace the filter screen every 3-6 months

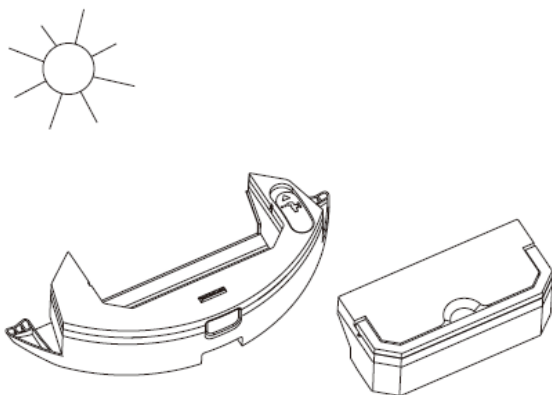
2in1 electric control water tank (clean it regularly)

1. Remove the mop, pour out the water from water tank



Electric-controlled water tank

2. Clean the mop, dry the water tank and mop

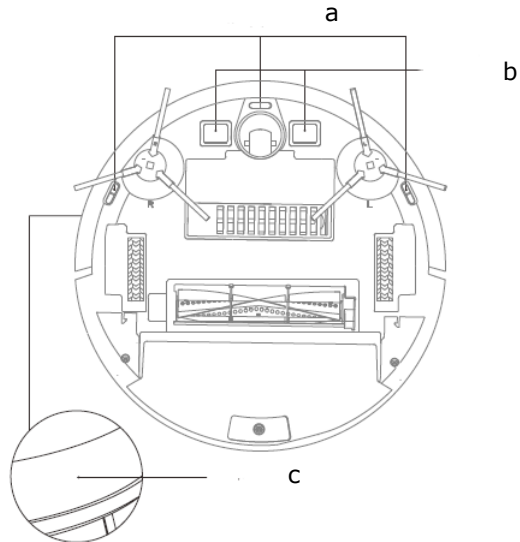


2 in 1 Electric-controlled water tank

Sensor (clean it regularly)

Clean the sensors by soft mop, include:

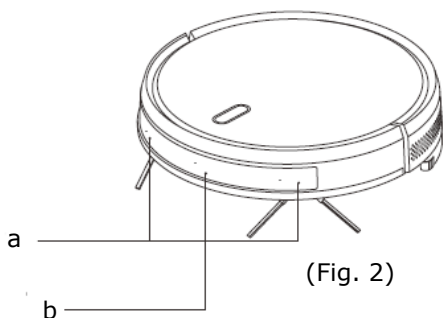
1. Clean the sensors along the wall on the right
2. Three anti-dropping sensors at the bottom of the host
3. Infrared avoidance sensor in the front of the host
4. Electric shock protector and charging base shrapnel at the bottom of the host (please cut of the power during cleaning)
5. Signal transmission area of charging base



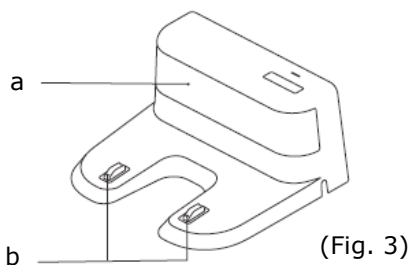
(Fig. 1)

a- Anti-dropping sensor, **b-** Charging contact, **c-** Infrared sensor

Sensor (clean monthly)



a- Anti-collision sensor, **b-** Infrared recharging sensor



a- Signal emission area, **b-** Charging base pins

Battery

- The host is furnished with high—performance lithium—ion batteries. To maintain battery performance, please keep the host charged in daily use
- If the machine is left unused long, please shut down and keep it properly. Charge it at least every 3 months to avoid damaging batteries due to excessive discharge

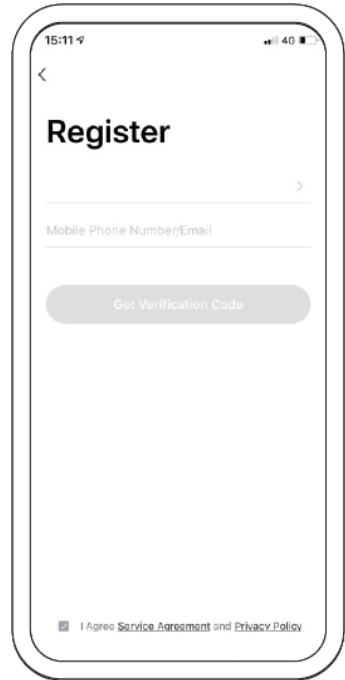
Firmware upgrade

Upgrade firmware using mobile APP. If new firmware is detected, upgrade it according to prompt, The battery level should be $\geq 50\%$ during firmware upgrade, so the machine should be placed on the charging base

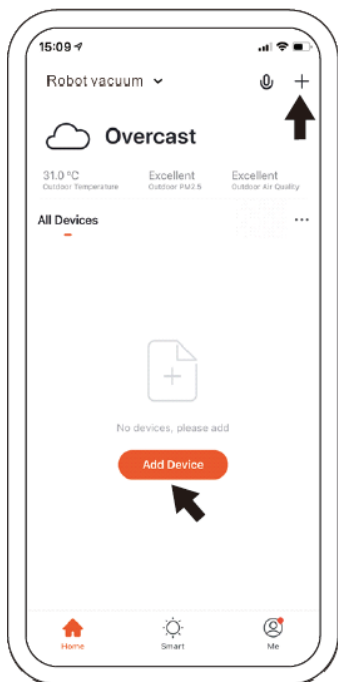
WiFi Connection Guide



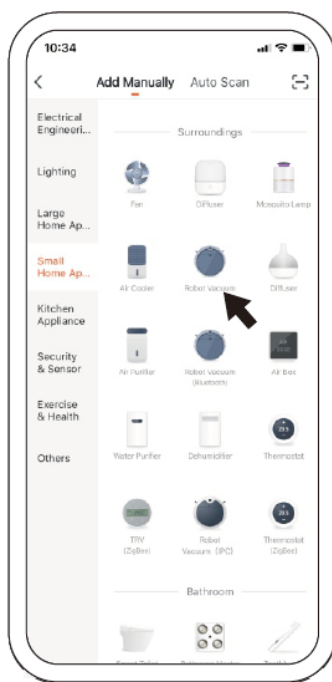
1. Download the app from Google Play or Apple App store. You can access the App by scanning the QR codes above. Or search „Smart life“ from app store.



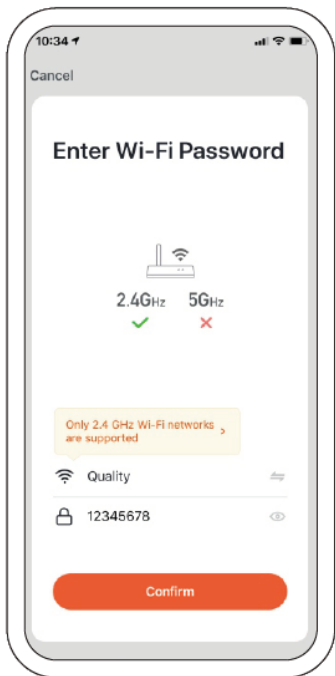
2. For new users, register a new account. For existing users, log into the Smart life app.



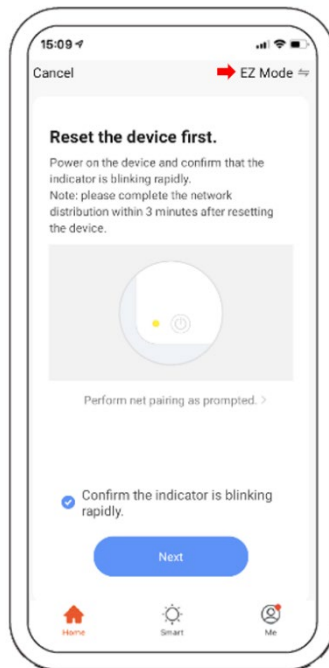
3. Open app and press "+" to add device, or use the add device button



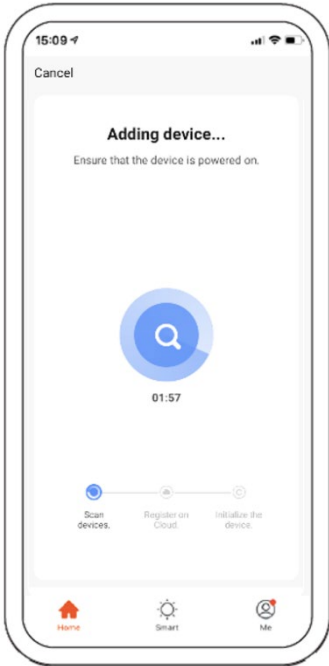
4. Choose Small Home Appliances "Robot vacuum (WiFi)"



5. Enter your WiFi password and press confirm. Kind remind that 5GHz is not available until now.



6. Check that the unit is in standby mode before connecting. Push the "Home" and "On" buttons at the same time for at least 3 seconds until the vacuum cleaner starts flashing and emits a voice message: „WiFi lost, please follow the App instruction for reconnection“. Check that your phone is connected to the same WiFi network as the one the vacuum cleaner is supposed to connect to. Confirm in the application that the vacuum cleaner is flashing and continue.



7. The application connects to the device automatically. When you hear the voice prompt, the device will be connected.

Common Problems

Problem	Solution
The robot cannot be started	<ul style="list-style-type: none"> • In case of a low battery level, please place the robot on the charging base and align it at the electrode plate, the machine will be started automatically (if the robot is completely powered off, it can be started automatically after charged for a while) • If the environment temperature is lower than 0°C or higher than 50°C, please use it at a temperature of 0-40°C
The robot cannot be charged	<ul style="list-style-type: none"> • Please move the robot away, check whether the indicator light of the charging base lights on and confirm both ends of the power adapter of the charging base are connected well • In case of poor contact, please clear the charging base shrapnel and the charging contact on the robot or push the side brush aside
The robot cannot be recharged	The robot is too far away from the charging base, please put the robot near the charging base and try again
Abnormal behaviour	Shut down and restart the robot
Abnormal noise in use	Main brush, side brush or wheel may be twined by foreign matters, please shut down the robot and remove foreign matters
Cleaning ability declines or dust falls out	<ul style="list-style-type: none"> • The dust box is full, please clear it • The filter screen is blocked, please clear or replace it • The main brush is twined by foreign matters, please clear it
WiFi cannot be connected	<ul style="list-style-type: none"> • WiFi signal is bad, please ensure coverage by WiFi signal • WiFi is connected abnormally, please reset WiFi, download the latest APP and try to reconnect it • Password is inputted incorrectly • The router is available for 5G frequency band, the cleaning robot is available for 2.4G frequency band only
Fixed-time cleaning fails	In case of a low battery level, fixed-time cleaning can be started only when the battery level is no less than 30%
Whether the robot consumes power if it is always placed on the charging base	The robot consumes a little power if it is always placed on the charging base and it enables the best performance of battery
Whether the robot needs to be charged for 16h	The lithium battery can be used immediately after being charged and has no memory effect

for the first three times	
---------------------------	--

Troubleshooting

Prompt Tone	Solution
Error 1: Oh dear! I cannot find the dust collector	Cleaning is triggered when the dust box is taken out
Error 2: Please check if the radar on top has been covered or blocked	The top radar is covered or placed in an open area (there is no obstacle within an area of 6x6m ²)
Error 3: Please place me in a new location and try again	Pick the robot up or hang it in the air
Error 4: Please scrub the cliff sensor, and restart me from a new location	The cliff sensor is covered or placed at height
Error 5: Please scrub the front sensor, and restart me from a new location	The infrared avoidance sensor is dirty or covered
Error 6: Please scrub the right-hand sensor, and restart me from a new location	The wall sensor is dirty or covered
Error 7: Please scrub the radar housing on top, and restart me from a new location	The radar avoidance sensor is dirty or covered
Error 8: Please check if the bumper has been blocked in some way	The edge or collision sensor is stuck
Error 9: Master, please clean the dust container and filter	The dust box is full, or the filter screen needs to be replaced
Error 10: Dust container has been removed, please clean the container and filter	After error 9 is issued, user takes out the dust chamber and error 10 is triggered
Error 11: I'm stuck, please help me!	The robot is stuck
Error 12: Please place me correctly!	The robot is tilted
Error 13: Please check if my wheels have become blocked somewhere	The driving wheel is stuck or twined
Error 14: Please check if the main brush has become stuck	The main brush is twined or stuck
Error 15: Please check if the side brushes have become stuck	The side brush is twined or stuck
Error 16: What's going on? Where is the docking station?	The charging base cannot be found or is not plugged in

Error 17: Oh dear! Program error, please restart me	Abnormalities are caused by unknown breakdown, restart the robot
Error 18: Error encountered initiating shutdown	The robot reminds the user and shuts down automatically or is recharged
Error 19: Low battery, please recharge	When the battery level is too low and the robot is not on the charging base, cleaning is triggered (the battery level is lower than 10%)
Error 20: To shut me down, please place me away from the docking station	The robot shuts down when charged on the charging base

Safety Information

Usage Limitations

- The product is used for floor cleaning in a home environment only and cannot be used for outdoor (such as open terrace), non-ground (such as sofa) and commercial or industrial environment
- Please do not use the product in mid-air areas (such as penthouse, open terrace and furniture top) without protective fence
- Please do not use the product at a temperature of above 40°C or below 0°C or when there are liquids and sticky substances on the ground
- Please hang cables on the ground before use so as to avoid being dragged by the host
- Please clear fragile objects and impurities (such as vase and plastic bag, etc.) on the ground so as to avoid damaging valuables when the host is stuck or impacted slightly
- People with physical, spiritual or perceptual disorder (including children) are not allowed to use or operate the product
- Children cannot use the product as a toy. Please keep children and pets away when the host is working
- Please keep main brush and other cleaning tools out of reach of children
- Please do not place objects (including children and pets) on a stationary or moving machine.
- Please keep hair, fingers and other parts of human body or pets away from the suction inlet when the machine is working
- Please do not use the product to sweep burning objects (such as burning cigarette butts)

- Please do not use the product to clean long-haired carpet (some dark carpets may not be cleaned normally)
- Please prevent the host from suctioning hard or sharp objects (such as waste, decorative materials, glass, and iron nails, etc.)
- Do not hold the vacuum cleaner by the protective cover, the distance sensor or the bumper when carrying it.
- Please clean or maintain the host and the charging base under shutdown or power-off state
- Please do not wipe any part of the product using wet cloth or any liquid
- UVC lamp emits very strong UV radiation.
- Don't look directly into the UVC lamp, UV radiation can harm your eyes.
- Keep out of reach of children.
- Please use the product according to User Manual. User should be responsible for any damages and injuries caused by improper use

Battery and Charging

- Please do not use battery, charging base or charger provided by any third parties
- Please do not dismantle, report or refit battery or charging base arbitrarily
- Please keep the charging base away from heat sources (such as heating plate)
- Please do not wipe or clean the charging base shrapnel using wet cloth or wet hand
- Please do not abandon used batteries arbitrarily. Used batteries should be disposed of by professional recycling agency
- If power line is damaged or broken, please disuse it immediately and replace it through official channels
- Please ensure the host shuts down during transportation and the product should be transported in original packaging
- If the machine is left unused long, it should be fully charged and then placed in a cool and dry place. Charge the machine at least every 3 months so as to avoid damaging batteries due to excessive discharge

Basic Parameters

Machine

Item	Parameter
Model	Salente G4
Overall dimension	350X350X80mm
Product weight	3.1 kg
Li—battery	2600mAh
Rated voltage	14.4V
Rated power	30W

Charging base

Item	Parameter
Model	Salente G4
Overall dimension	160X143X80mm
Rated power	11.4W
Rated output	11.4W

Specification of AC adapter

Manufacturer's name, commercial registration number and address	Abacus Electric, s.r.o. Planá 2, 370 01, Czech Republic, 1891486
Model identifier	RTX-G4
Manufacturer's name, commercial registration number and address for AC adapter	Shenzhen Nalin Elec Tech Company Limited 2/f West & 3/f Bldg Zhouteng Industry Garden, Shanglilang Community Nanwan Longgang, 518112 Shenzhen Guangdong, China
Model identifier for AC adapter	S012DBV1900060
Input voltage	100 - 240 V~
Input AC frequency	50/60 Hz
Output voltage	19V
Output current	0,6 A
Output power	11,4 W
Average active efficiency	82,95%
Efficiency at low load (10 %)	71,3%
No-load power consumption	0,04W



— **Disposal:** The symbol of crossed out container on the product, in the literature or on the wrapping means that in the European Union all the electric and electronic products, batteries and accumulators must be placed into the separate salvage after finishing their lifetime. Do not throw these products into the unsorted municipal waste

DECLARATION OF CONFORMITY

Hereby, the company Abacus Electric, s.r.o. declares that the SALENTE G4 is in compliance with the requirements of the standards and regulations, relevant for the given type of device. Find the complete text of Declaration of Conformity at <http://ftp.evolveo.com/ce/>

Importer / Manufacturer

Abacus Electric, s.r.o.

Planá 2, 370 01, Czech Republic

Made in China

Copyright © Abacus Electric, s.r.o.

www.salente.eu

All rights reserved.

Design and specification may be changed without prior notice.